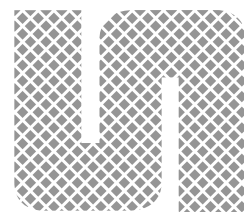
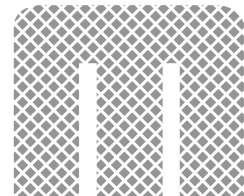
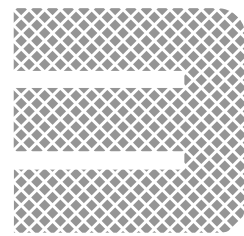
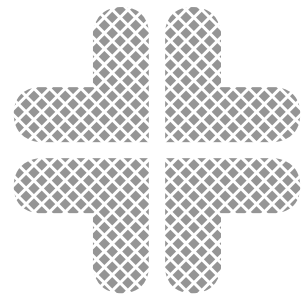


Accessibility

PRODUCT CATALOG

Pilot



ฟาซีแคร์
FASICARE
We're your healthy mate

 www.fasicare.com

 [fasicare](#)

 [@fasicare](#)

 [fasicare](#)

 [fasicareshop](#)

 [@official_fasicare](#)

 [fasicare mall](#)

 [fasicare.official.store](#)

Merits Milestone

1986	Establishment Own brand: Merits Manufacture: (manual wheelchair & walker)
1989	Establishment Merits USA SBU
1991	Manufacture (power wheelchair & scooter)
1995	Establishment Merits China factory
2002	Certification FDA (U.S.A.)
2003	Certification ISO 13485
2009	New location & Expansion:Merits China Factory
2011	New location & Expansion:Group HQ & Merits Taiwan factory
2017	Own brand & Manufacture:AVID (rehab power wheelchair)/Pilot (stairlift)
2018	Own brand & Manufacture:Precision Comfort (seating & positioning)
2019	New location & Expansion: Merits USA SBU

About Merits

Merits Health Products logo, consisting of four red hearts, is a symbol of our commitment to provide products second to none. Four red hearts represent faithfulness, caring, love and untiring determination toward our goal of enhancing human life. We commit to continue our efforts in providing the best possible products and services available at the competitive cost to you, our valued customers. Our vision, to give the elderly and the disable individuals ability to live independently and under their own volition.

Merits Health Products is driven to improve lives - every day, all over the world - by making high-quality manual wheelchair, power wheelchair, rehab power wheelchair, scooter, accessibility, patient aid, stair lift and seating & positioning products.

We provide reliable, expertly engineered solutions for nearly every need. Our innovative designs constitute years of experience and research to fully understand the special needs of individuals. Through years of consultations, personal contacts and studies, Merits Health Products has adapted every way conceivable to satisfy our customers efficiently with quality and professionalism.



TAIWAN



CHINA



U.S.A.



THAILAND

Our Capabilites



INDEX

About Merits	02
INDEX	03

Pilot

E603	04
E604	06

Pilot

E603

Straight Stair Lift



E603 With Deluxe Seat

Features

Convenience

- Remote Control: Easy and convenient to call and park carriage.
- Swivel Seat with Locking Catch: Ensures easy entry and exit from the carriage: Unit is non-operational unless the seat has been turned to the ready position.
- Folding Seat & Footrest Fold-away design allows others to use the staircase freely when the unit is folded.
- Infrared Remote Controls: Easy and convenient to control the chair either up or down when needed.
- Adjustable seat height: 40.6~50.8cm.
- Adjustable armrest width: 40.6~50.8cm.

Safety

- Soft Start and Soft Stop Technology: Comfortable and no lurch as the lift starts or stops.
- Obstacle Sensor Safety Interlock: Prevents unit from colliding with any obstruction on the staircase.
- Mechanical Braking Systems: Self-locking worm gear eliminates the possibility of any uncontrolled movement.
- Compliant with ASME A18.1/ BS/ EN 81-40:2008

Unfold



Fold



Optional Folding Rail for Straight Stair



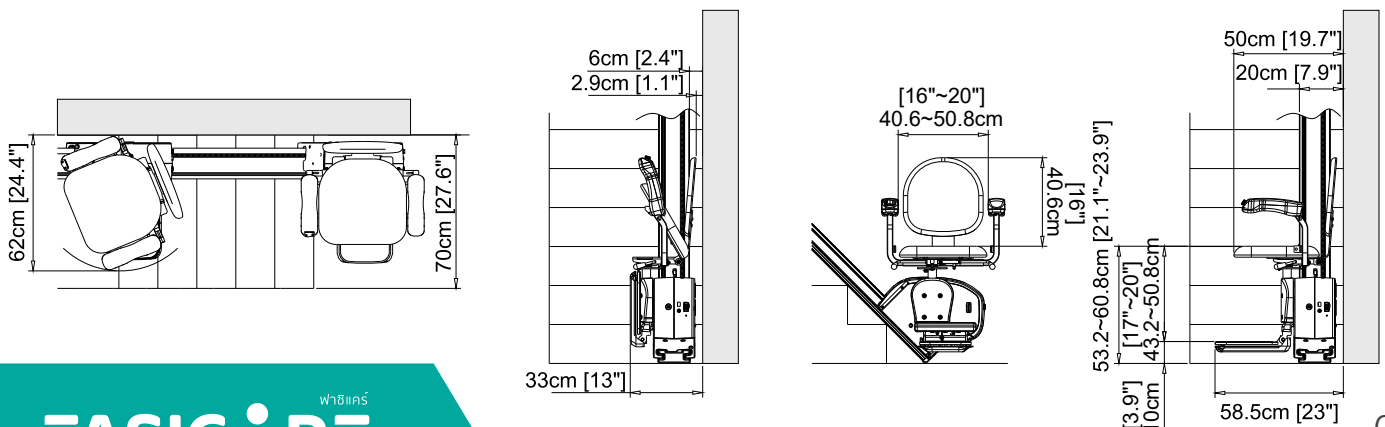
Optional Deluxe Seat

Upholstery Color Options



Technical Specs

	Weight Capacity	Speed	Incline Limits	Travel per Charge	Drive Method
E603 E603RP	159kgs/350lbs	6m/min. / 20fpm	Max 55°	53m/173ft	Rack & Pinion
	Motor	Charger	Battery		
E603 E603RP	350W, 24VDC	Input: 100~240VAC, 50~60HZ Output: 2A/ 24VDC	12V/9AH x 2pcs		



Pilot

E604

Curved Stair Lift



E604 With Deluxe Seat

Features

- RF Remote Control: Easy and convenient to call and park carriage
- Synchronous Foldable Seat & Footrest: Save stair space for others, as the carriage seat and footrest folded up simultaneously
- Smooth Start and Stop: Special designed control module programed to ensure the riding smoothness
- Advanced Rail Manufacturing Technology: All the 3-D curved section of the rail is in one piece. The minimization of rail joints provides best riding experience
- Swivel Seat with Locking Catch: Getting on or off from the carriage is a breeze
- Obstacle Sensor with Safety Interlock: The system prevent carriage from colliding with any obstruction on the stairway
- Mistake-Proofing Mechanism: The system stay inactivated unless the seat tured to the right position
- Optional Mechanical Braking System: Over Speed Governor to ensure maximum operating safety
- E604 Compliant with ASME A17.5 / A18.1/ EN 81-40.



Upholstery Color Options

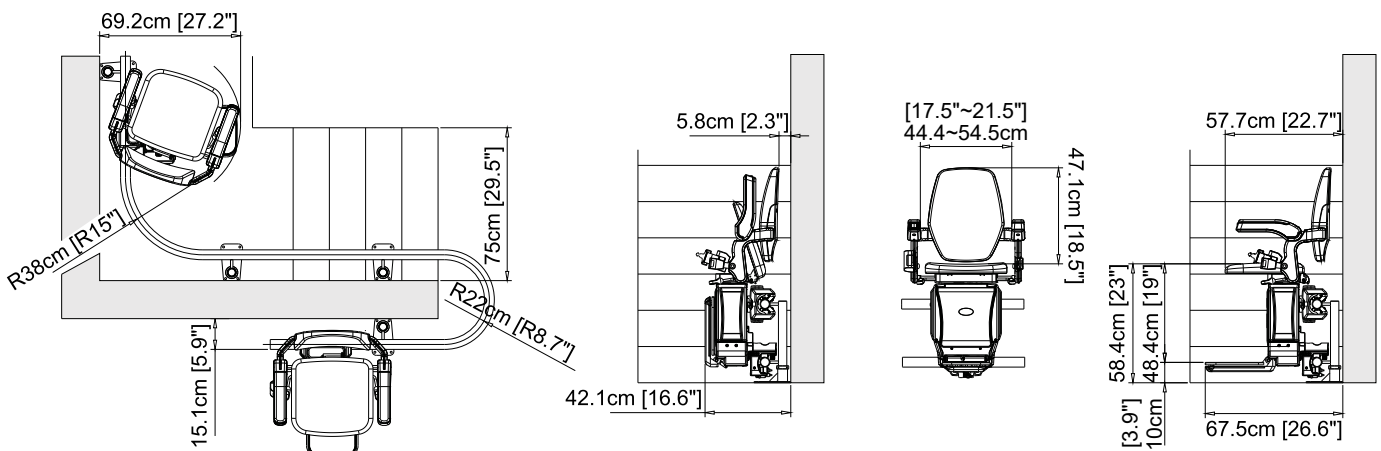


Rail Color Options



Technical Specs

	Weight Capacity	Speed	Incline Limits	Travel per Charge	Drive Method
E604 E604HD	120kgs/265lbs 158kgs/350lbs	6m/min. / 20fpm	Max 52°	188m/617ft	Rack & Pinion
	Motor	Charger	Battery		
E604 E604HD	400W, 24VDC	Input: 100~240VAC, 50~60HZ Output: 2A/ 24VDC	12V/9AH x 2pcs		



ฟาซีแคร์

FASICARE

We're your healthy mate



www.fasicare.com



[fasicareshop](https://www.youtube.com/fasicareshop)



[fasicare](https://www.facebook.com/fasicare)



[@official_fasicare](https://www.tiktok.com/@official_fasicare)



[@fasicare](https://line.me/tv/@fasicare)



[fasicare mall](https://www.lazada.com/fasicare-mall)



[fasicare](https://www.instagram.com/fasicare)



[fasicare.official.store](https://www.shopee.com/fasicare-official-store)

**Importers
and distribution**

FASICARE CO., LTD. No.21,23 Soi Ekachai 66/2,
Khlongbangphran Sub-district,
Bangbon district, Bangkok 10150, Thailand
Tel: 086-300-2582, 034-494-026
E-Mail : fasicareshop@gmail.com

